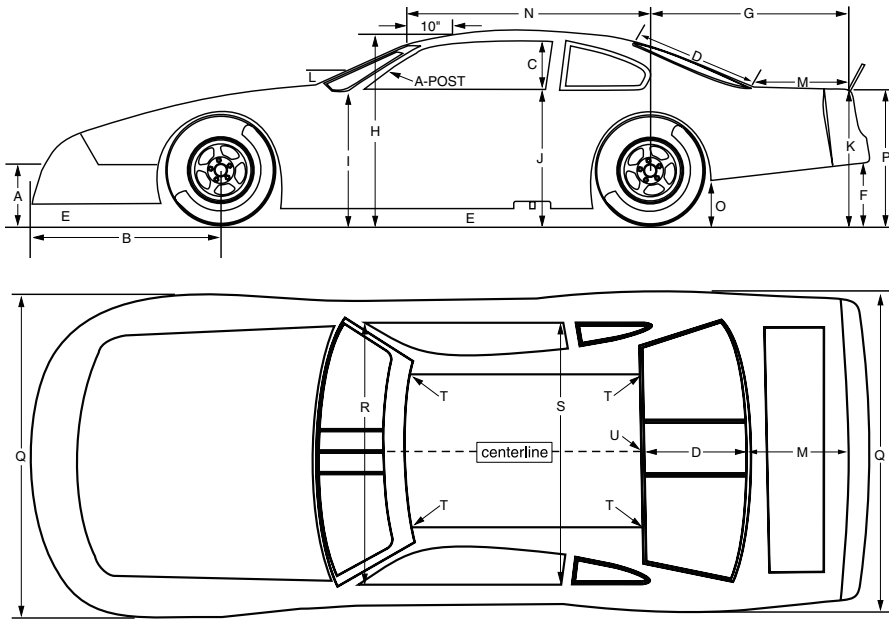


STRAIGHT-UP METAL

Designed to meet:

- roof height: 48"
- treadwidth: up to a 65"
- front overhang: 46"
- rear overhang: 47"
- wheelbase: less than a 106" with metal fenders and standard doors or 106-109" (not for Late Model Stock) with plastic fenders and extra-long aluminum doors.

WHEN MOUNTED USING the dimension guidelines at right and the recommended template set, these bodies will meet the specifications as regulated by sanctioning body templates and inspection devices.



DIMENSION GUIDELINES

A	NOSE HEIGHT (MIN): from ground to top of bumper line	17½"
B	FRONT OVERHANG (MAX): on centerline	46"
C	SIDE WINDOW OPENING (MIN): at B-post	15"
D	REAR WINDOW LENGTH: on centerline	31¼"
E	NOSE/SIDE PANEL CLEARANCE (MIN): from ground	4"
F	BUMPER COVER HEIGHT (MAX): from ground	15"
G	REAR OVERHANG (MAX): base of spoiler at centerline to axle centerline	47"
H	ROOF HEIGHT (MIN): 10" back from windshield, on centerline	48"
I	FENDER HEIGHT: at rear	32½"
J	DOOR HEIGHT: at rear	33"
K	QUARTER PANEL HEIGHT: at bumper cover/deck lid intersection	34½"
L	WINDSHIELD ANGLE: at center/at roof windshield post	26/30°
M	REAR DECK LENGTH (MAX): at center, from base of spoiler to rear window	23¼"
N	FRONT OF ROOF TO CENTER OF REAR AXLE	57½"
O	QUARTER PANEL HEIGHT: at back of wheel well opening	13"
P	BUMPER COVER HEIGHT: at base of spoiler, on centerline	34 ⁷ / ₈ "
Q	BODY WIDTH (MAX), at wheel wells: must not extend past tires	
R	DOOR TO DOOR WIDTH (measured through car): at A-posts and inside edges of doors	67"
S	DOOR TO DOOR WIDTH (measured through car): at B-posts and inside edges of doors	65½"
T	ROOF HEIGHT, CORNERS: at body lines, front	45 ¹ / ₈ "
T	ROOF HEIGHT, CORNERS: at body lines, rear	44¼"
U	ROOF HEIGHT, rear: at centerline	45¾"

ROOF MOUNTING

This drawing shows roof corner dimensions to help you properly locate the roof. Once the roof is located, confirm that highest point on the roof (Dim. H) is 48". This dimension is measured 10" back from the windshield.

NOTES:

1. DIM R is measured at the A-posts and inside edges of the doors.
2. DIM S is measured at the B-posts and inside edges of the doors.
3. Dimensions T front, T rear and U are taken at the edge of the roof (not on the ledge where the window sits) & are measured from the floor up.

