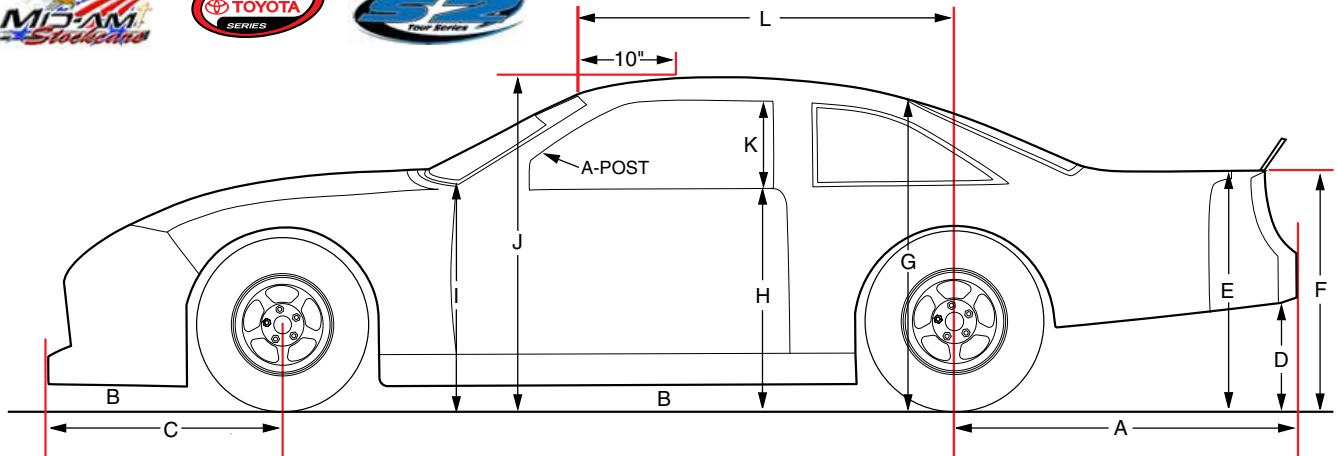


# S2 SPORTSMAN

- Fits Street Stock/Sportsman, common metric-style chassis
- Wheelbase: up to 108"
- 51" roof height
- Wind tunnel tested for superior aero balance
- Maximum tread width: 62"



## DIMENSION GUIDELINES

A	REAR OVERHANG (MAX): center of axle to trailing edge of rear fascia	52½"
B	NOSE/SIDE PANEL CLEARANCE (MIN): from ground	5"
C	FRONT OVERHANG (MAX): on centerline	45"
D	BUMPER COVER HEIGHT (MAX): from ground	16"
E	QUARTER PANEL HEIGHT: at bumper cover/deck lid intersection	35"
F	BUMPER COVER HEIGHT: at base of spoiler on centerline	35⅜"
G	ROOF HEIGHT, REAR: at centerline	48⅞"
H	DOOR HEIGHT (MIN): at rear	34½"
I	FENDER HEIGHT: at rear	34½"
J	ROOF HEIGHT (MIN): 10" back from windshield, on centerline	51"
K	SIDE WINDOW OPENING: at B-post	15"
L	FRONT OF ROOF TO CENTERLINE OF REAR AXLE	60½"
M	DOOR TO DOOR WIDTH: measured through car at A-posts and inside edges of doors	64½"
N	DOOR TO DOOR WIDTH: measured through car at B-posts and inside edges of doors	64"
O	ROOF HEIGHT, CORNERS: at outer scribe line located on window ledge	48⅞"

## ROOF MOUNTING

1. Properly locate your roof using the dimensions in the chart at left.
2. Confirm that highest point on the roof (Dim. J) is 51", measured 10" back from the windshield.

### NOTES:

1. DIM M is measured at the A-posts and inside edges of the doors.
2. DIM N is measured at the B-posts and inside edges of the doors.
3. Dimension G is taken at the edge of the roof (not on the ledge where the window sits) and is measured from the floor up.
4. Dimension O is taken at the outer scribe line on the window ledge. Measurement is made at roof surface to the ground.

