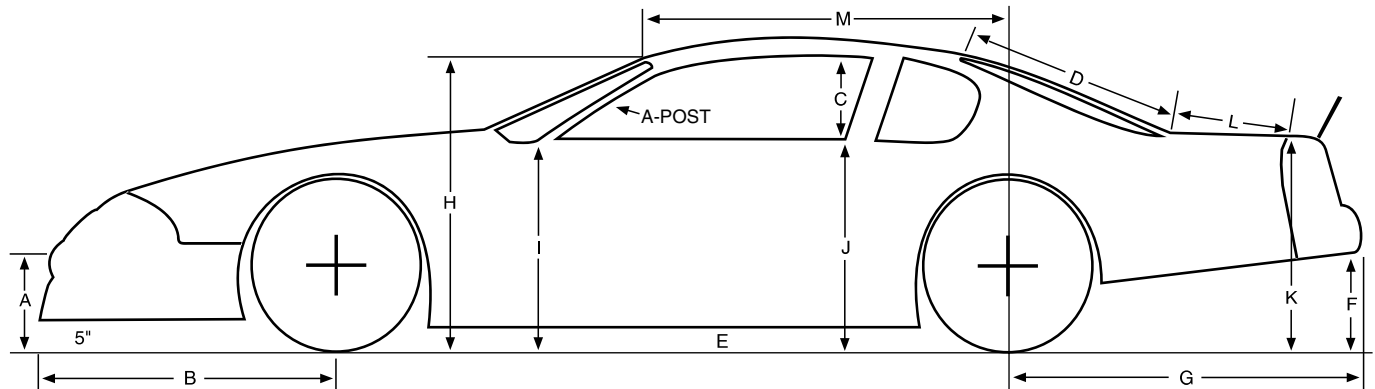


FIBERGLASS SPORTSMAN

FIBERGLASS SPORTSMAN BODIES were designed for a metric chassis. Please note the critical dimension "M" in locating your roll cage.



DIMENSION GUIDELINES

A	NOSE HEIGHT: from ground to top of bumper line	18½"
B	FRONT OVERHANG (MAX): on centerline	45"
C	SIDE WINDOW OPENING (MIN)	15¾"
D	REAR WINDOW LENGTH	37"
E	SIDE PANEL CLEARANCE (MIN)	5"
F	BUMPER COVER HEIGHT (MAX)	17"
G	REAR OVERHANG (MAX): on centerline	51"
H	ROOF HEIGHT (MIN): 10" back from windshield, on centerline	51"
I	FENDER HEIGHT: at rear	35"
J	DOOR HEIGHT: at rear	34¾"
K	QUARTER PANEL HEIGHT: at rear	35"
L	DECK LID LENGTH: at center	23"
M	FRONT OF ROOF TO CENTER OF REAR AXLE	60½"

