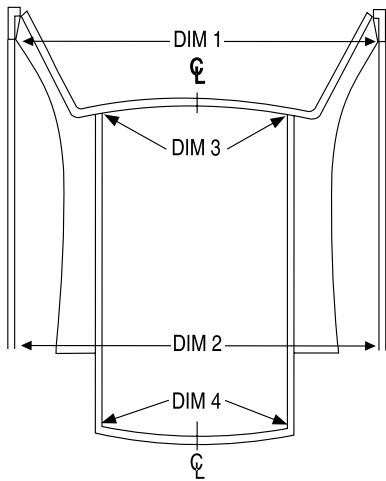
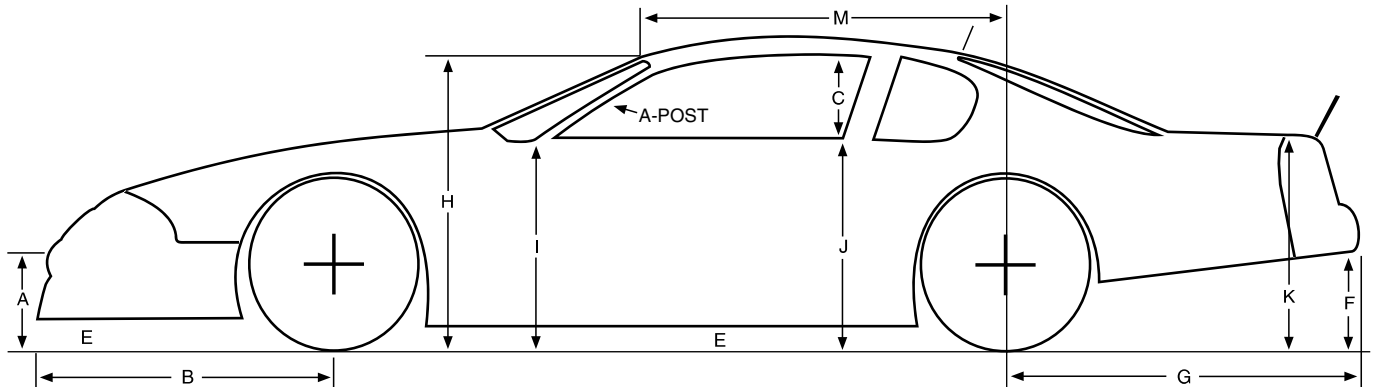


# DIRT GRAND NATIONAL

DESIGNED TO FIT A METRIC CHASSIS commonly used in dirt sportsman divisions with:

- roof height: 51"
- treadwidth: 60" with 10" tires or 62" with 8" tires
- wheelbase: 108"
- front of roof to center of rear axle: 60-1/2"



## ROOF MOUNTING

This drawing shows roof corner dimensions to help you properly locate the roof. Once the roof is located, confirm that highest point on the roof (Dim. H) is 51". This dimension is measured 10" back from the windshield.

- DIM 1..... 67"
- DIM 2..... 67"
- DIM 3..... 49"
- DIM 4..... 47½"

## DIMENSION GUIDELINES

A	NOSE HEIGHT: from ground to top of bumper line	19¼"
B	FRONT OVERHANG (MAX): on centerline	46"
C	SIDE WINDOW OPENING (MIN)	15¼"
E	SIDE PANEL CLEARANCE (TYPICAL)	8"
F	BUMPER COVER HEIGHT (MAX)	16"
G	REAR OVERHANG: base of spoiler at centerline to axle centerline	47"
H	ROOF HEIGHT (MIN): 10" back from windshield, on centerline	51"
I	FENDER HEIGHT: at rear	35"
J	DOOR HEIGHT: at rear	35¼"
K	QUARTER PANEL HEIGHT: at rear	35½"
M	FRONT OF ROOF TO CENTER OF REAR AXLE	60½"

